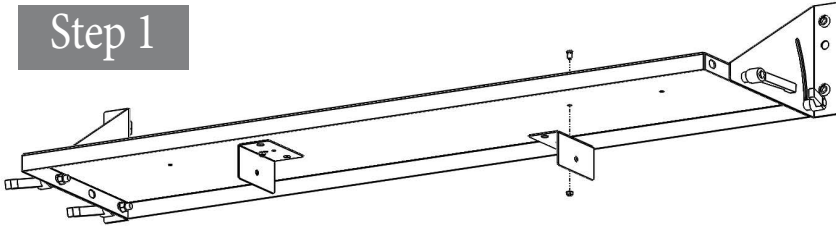
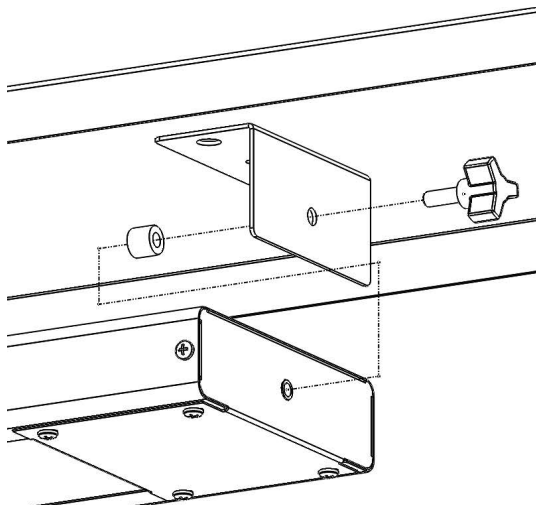
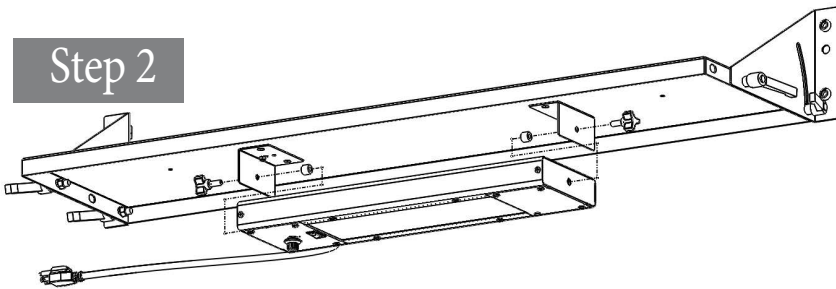


LED LIGHT UNIT Item  
Numbers 8901, 8903, 8906, 8907, 8911

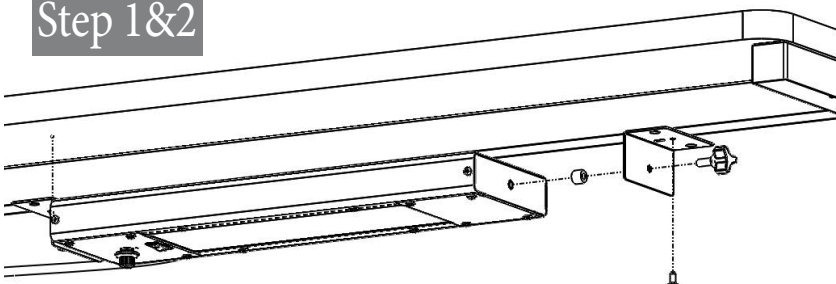
## Step 1



## Step 2



## Step 1&2



## ACCESSORIES

PARTS AND HARDWARE	QUANTITY
Light Mounting Bracket	2
1/2" x 7/16" Nylon Spacer	2
3-Lobe Knob	2
10-24 x 3/8 Bolt	2
10-24 Nut	2
#8 x 1/2" Wood Screw	2
#10 Tek Screw	2
1/8 Allen Wrench	1
<b>Other Items Needed (not included)</b>	
Phillips head screwdriver	
Tape Measure	

### Mounting for under universal shelf & storage cabinet

1. Install Light Mounting Brackets to underside of Universal Shelf using 10-24 nuts and bolts. Do not tighten bolts fully.
  - a To install under a Storage Cabinet, use #10 tek screw.
2. Install LED Light to bracket assembly using 3 Lobe Knobs and 1/2" x 7/16" Nylon Spacers. using 1/8" allen wrench, tighten 10-24 nuts & bolts.

### Mounting for under laminate shelf

1. Install light mounting brackets to each side of light using 3-lobe knobs and 1/2" x 7/16" nylon spacers. Mounting bracket should be parallel with top of light unit.
2. Secure light assembly to underside of laminate shelf with #8 wood screws.